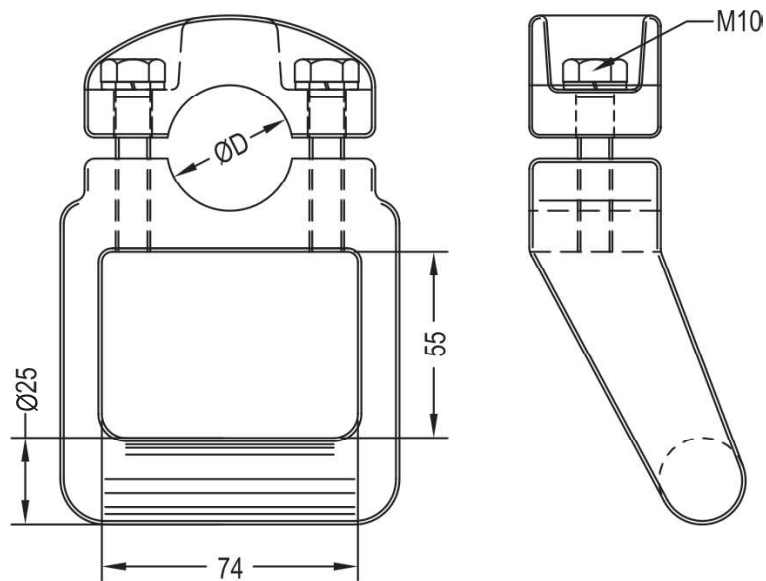




STATIONARY SHORT-CIRCUIT POINT FOR OVERHEAD LINE

type 163 110

It is used establish permanent shorting points on the lines AIFe in distribution substations.



Designed for short-circuiting set
type 154110, 154220

Connection to conductor:

110 mm ²	ØD	15	163110-0040
185-240 mm ²	ØD	21,5	163110-0030
350 mm ²	ØD	26,5	163110-0010
450 mm ²	ØD	29,3	163110-0050
670-750 mm ²	ØD	36,5	163110-0020

Different diameters are possible based on discussion with producer.

SPECIFICATION

Material - Al alloy

Short-circuit resistance 30 kA/1s
Weight 0,65 kg